



C. Earl Hunter, Commissioner

*Promoting and protecting the health of the public and the environment.*

**PUBLIC NOTICE  
AMENDMENT REQUEST**

The permittee for P/N# **OCRM-07-928, John M Faulkner**, has requested an amendment to that issued permit. Specifically, the applicant proposes to enlarge the pierhead from 18'x26' to 20'x28', delete previously permitted rail system and replace with a 4'x950' walkway, reduce the three 11'x22' platform boatlifts to 12'x13' four pile boatlifts, add two 3'x30' catwalks and add a 4'x24' ramp and 10'x40' floating dock to the channelward side of the pierhead. The proposed amendment is for modifications to a private, joint use dock, on and adjacent to Battery Creek at 2006, 2008 & 2010 (3 Lots) Berkeley Circle, Port Royal, Beaufort County, South Carolina.

Written comments will be received on this amendment request until May 18, 2009 at the address listed below. For further information please contact the project manager, Geordie Madlinger, 843-846-9400.

May 8, 2009

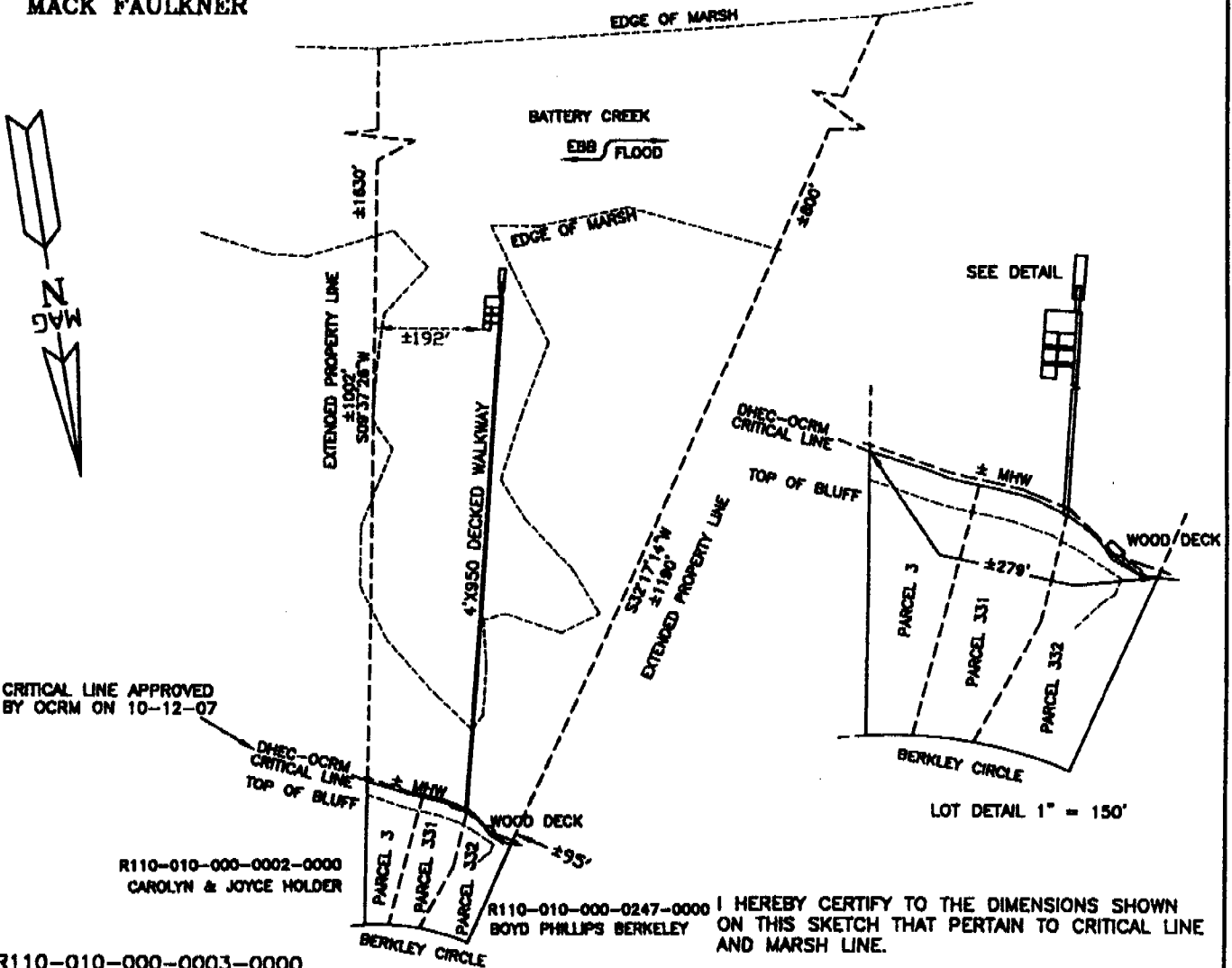
**SOUTH CAROLINA DEPARTMENT OF HEALTH AND ENVIRONMENTAL CONTROL**

**Ocean and Coastal Resource Management**

Charleston Office • 1362 McMillan Avenue, Suite 400 • Charleston, SC 29405

Phone: 843-953-0200 • Fax: 843-953-0201 • [www.scdhec.gov](http://www.scdhec.gov)

**DOCK PERMIT SKETCH  
PREPARED FOR  
MACK FAULKNER**



CRITICAL LINE APPROVED BY OCRM ON 10-12-07

R110-010-000-0002-0000  
CAROLYN & JOYCE HOLDER

R110-010-000-0247-0000  
BOYD PHILLIPS BERKELEY

HEREBY CERTIFY TO THE DIMENSIONS SHOWN ON THIS SKETCH THAT PERTAIN TO CRITICAL LINE AND MARSH LINE.

PIN: R110-010-000-0003-0000  
PIN: R110-010-000-0331-0000  
PIN: R110-010-000-0332-0000



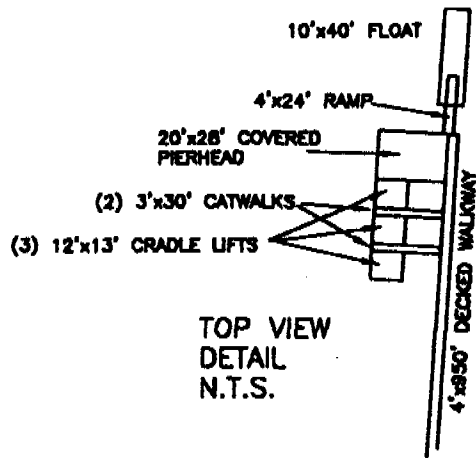
SCALE 1" = 300'

REVISED 4-30-09 - REVISED DOCK THIS DATE

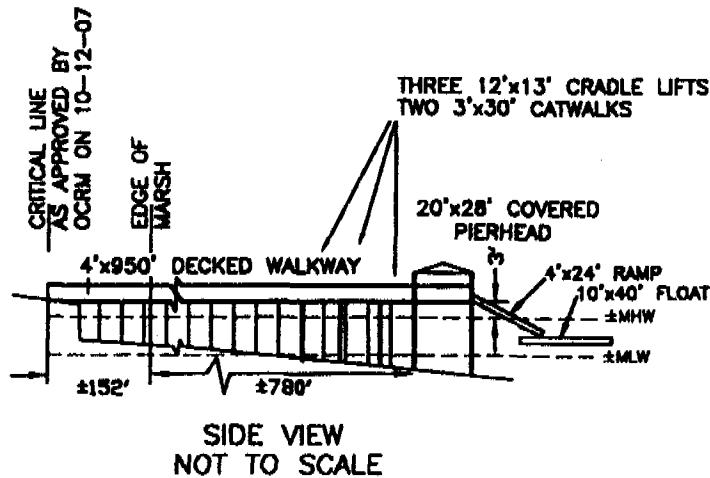
OCTOBER 12, 2007  
P13534A/JJ/MMA

*David S. Youmans*  
**DAVID S. YOUMANS** RLS 9765  
BEAUFORT SURVEYING, INC.  
1613 PARIS AVENUE  
PORT ROYAL, S.C. 29935  
PHONE (843) 524-3281

<p>APPLICANT: MACK FAULKNER</p> <p>ACTIVITY: PRIVATE DOCK</p> <p>OCRM 07-928</p>	<p>LOCATION: PORT ROYAL</p> <p>COUNTY: BEAUFORT</p> <p>DATE: 10/12/07</p>	<p>ADJACENT PROPERTY OWNERS</p> <p>CAROLYN &amp; JOYCE HOLDER</p> <p>BOYD PHILLIPS BERKELEY</p>
--	---	---



DOCK PERMIT SKETCH  
 PREPARED FOR  
 MACK FAULKNER



I HEREBY CERTIFY TO THE DIMENSIONS SHOWN ON THIS SKETCH THAT PERTAIN TO CRITICAL LINE AND MARSH LINE.

REVISED 4-30-09 - REVISED DOCK THIS DATE

*David S. Youmans*  
 DAVID S. YOUMANS RLS 9765  
 BEAUFORT SURVEYING, INC.  
 1613 PARIS AVENUE  
 PORT ROYAL, S.C. 29935  
 PHONE (843) 524-3261

PIN: R110-010-000-0003-0000  
 PIN: R110-010-000-0331-0000  
 PIN: R110-010-000-0332-0000

P13534A/JJ/MMA

APPLICANT: MACK FAULKNER	LOCATION: PORT ROYAL	ADJACENT PROPERTY OWNERS
ACTIVITY: PRIVATE DOCK	COUNTY: BEAUFORT	CAROLYN & JOYCE HOLDER
OCRM 07-928	DATE: 10/12/07	BOYD PHILLIPS BERKELEY