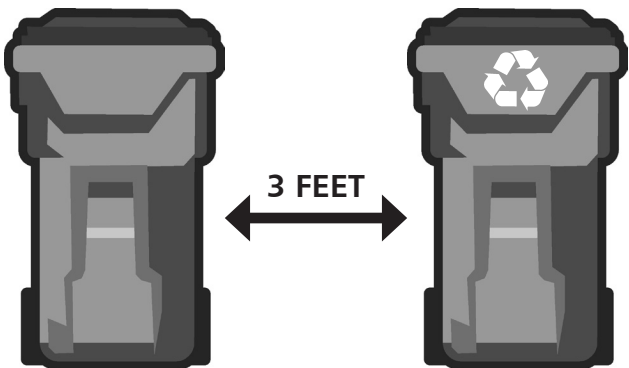


Curbside Courtesy

SET-OUT GUIDELINES

To make recycling collection more efficient, please follow these guidelines.

- ✓ **Place your cart at the curb before 7:30 a.m. on the day of collection.**
- ✓ **Place all recyclables loose in your roll cart – DO NOT place them in paper or plastic bags.**
- ✓ **Close the lid.**
- ✓ **Place the cart with the pushing handle toward your home.**
- ✓ **Keep your cart at least 3 feet away from other roll carts, trees, vehicles and mailboxes.**



**Download the Columbia, SC
Solid Waste Mobile App for reminders
or sign up online!**

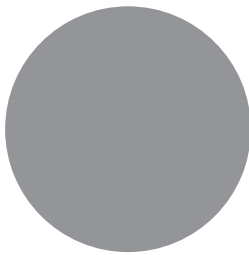


We Are Columbia



FUNDED BY





ATTENTION, PLEASE.

- We noticed that your roll cart had more than just recyclables.
- Unfortunately, this cart could not be emptied for recycling.

Please help us keep recyclables free of contaminants.

- NO garbage or plastic bags
- NO food or yard debris
- NO cords, wires, hoses or other hangers
- NO electronics, carpet or lumber
- Other:

Please recycle these items.

Empty and rinse all cans, bottles and other food containers.



Newspaper & Unwanted Mail



Flattened Cardboard



Cereal & Tissue Boxes



Glass Bottles & Jars



Aluminum Cans



Metal ("Tin") Cans



Food & Juice Cartons



Plastic Containers

Thanks for Recycling!



We Are Columbia

Solid Waste Division
(803) 545-3800
www.columbiasc.net

PRINTED ON RECYCLED PAPER
OR-1204 8/17

